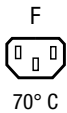


Distribution Unit with 1 IEC Appliance Connector C14 and 4 Plugs F



Minibloc 4747

**Description**

- Stand alone module
- 2 Functions:
of 4 outlets, Inlet, Pin temperature 70 °C, Protection class I

Approvals

- CSA License Number: 56242

Characteristics

- Qualified for use in equipment according IEC/EN 60950

Weblinks

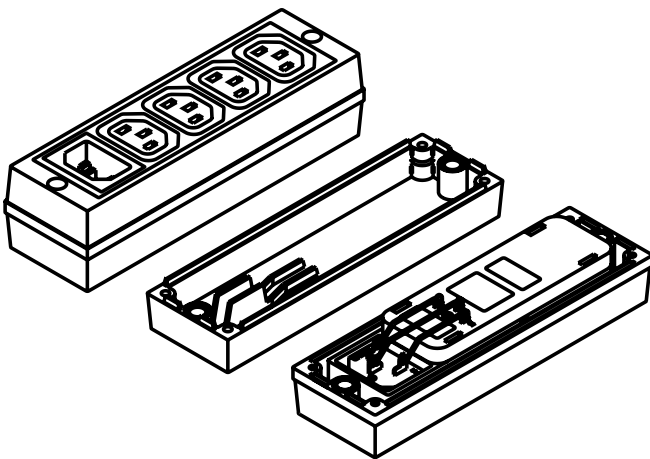
[Approvals](#), [RoHS](#), [CHINA-RoHS](#), [e-Store](#), [SCHURTER-Stock-Check](#), [Distributor-Stock-Check](#)

Technical Data

| | | | |
|---------------------------|--|-------------------------|--|
| Ratings IEC | 10A / 250VAC; 50Hz | Appliance-Inlet/-Outlet | C14 acc. to IEC/EN 60320-1, F acc. to IEC/EN 60320-2-2, |
| Ratings UL/CSA | 15A / 250VAC; 60Hz | | UL 498 CSA C22.2 no. 42 (for cold conditions) pin-temperature 70 °C, 10A, Protection class I |
| Dielectric Strength | > 2 kVAC between L-N > 2 kVAC between L/N-PE (1 min/50Hz) | | |
| Allowable Operation Temp. | -25 °C to 70 °C | | |
| Protection Class | Suitable for appliances with protection class I acc. to IEC 61140 | | |
| Material: Housing | Thermoplastic, black, UL 94V-0 | | |

Dimensions

Minibloc 4747



Mounting holes for 3 mm screws on 135 mm centres
Dimensions: 147 mm long x 44 mm wide x 37 mm high

Variants

[Distributor-Stock-Check](#) | [SCHURTER-Stock-Check](#) | [e-Store](#)

| Terminal | Version with | Order Number |
|----------|--------------|--------------|
| - | inlet | 4747.0000 |

Packaging unit

30 Pcs
